



Quantum SuperLoader 3: Rackmount Replacement

Follow the steps in the document to replace a rackmount for your SuperLoader 3:

To replace the rackmount, refer to the following sections:

- [Preparing to Replace the SuperLoader 3 Rackmount](#) on page 1
- [Removing the SuperLoader 3 from the Rackmount](#) on page 4
- [Replacing the SuperLoader 3 In a New Rackmount](#) on page 10
- [Completing the Installation](#) on page 12

Preparing to Replace the SuperLoader 3 Rackmount

Note: Read this entire document before beginning any of the procedures.

Safety Precautions

Before beginning a rack mount installation, complete the following safety precautions:

- 1 Lower the cabinet feet.
- 2 Extend the cabinet anti-tip device, if available.
- 3 Ensure that the cabinet and all rack mounted equipment have a reliable ground connection.
- 4 If you have made any changes to the location of your SuperLoader 3, verify that the total current of all rack mounted components (including the

© 2013 Quantum Corporation. All rights reserved. Quantum, the Quantum logo, DLT, DLTape, the DLTape logo, SuperLoader, Scalar, DXi, StorageCare, StorNext, GoProtect, and Vision are registered trademarks of Quantum Corporation and its affiliates in the United States and/or other countries. All other trademarks are the property of their respective owners. Quantum specifications are subject to change.



SuperLoader 3) will not exceed the current rating of the power distribution unit or outlet receptacles.

- 5 Secure the help of at least one other person. At least two people are required to safely reinstall the SuperLoader 3 into a rack cabinet.

WARNING: Failure to take these safety steps may result in personal injury or equipment damage.

Caution: Never remove the top cover of the SuperLoader 3. Removing the top cover could result in damage to the SuperLoader 3.

Required Tools and Kits

Make sure you have the following tools.

- (1) #2 Phillips screwdriver
- (1) Level (required when placing SuperLoader 3 into the rack cabinet)


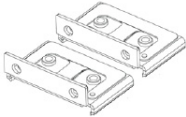
Make sure you have the following kits:

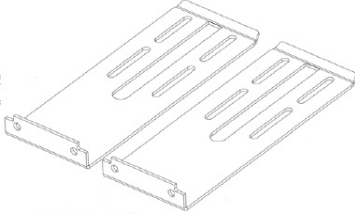
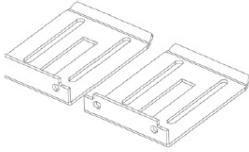
- Replacement Rack Rail Kit

SuperLoader 3 Replacement Rack Rail Kit Contents

Verify the contents of the SuperLoader 3 Replacement Rack Rail Kit you received from Quantum.

Table 1 SuperLoader 3 Rack Rail Kit Contents

Component	Description	Quantity
	10-32 x 1/4 inch button head screws	8 (4 per support bracket)
	Support brackets	2

Component	Description	Quantity
	SuperLoader 3 Long brackets	2
	SuperLoader 3 Short brackets	2

Note: Commonly, the short SuperLoader 3 brackets are used. However, if the distance from the front mounting rail to the rear mounting rail is longer than 30.25 in. (76.84 cm), you must use the long brackets to be sure the SuperLoader 3 can reach and be securely attached to the rear mounting rail.

Preparing the SuperLoader 3 for Removal From the Rack

These instructions explain how to prepare your SuperLoader 3 so you can safely remove it from the rack.

- 1 Release the magazines from the SuperLoader 3; complete the following steps for each magazine or magazine blank:
 - a From the main menu, select **Commands** and press **Enter**.
 - b Select **Eject** and press **Enter**.
 - c Select the appropriate magazine (**Right Magazine** or **Left Magazine**) and press **Enter**.

You will hear a distinctive popping sound as the appropriate magazine is ejected from the SuperLoader 3. The LCD indicates which magazine has been ejected.

Note: To prevent damage to the SuperLoader 3 or the magazine, use both hands when removing it from the SuperLoader 3 and support the entire length of the magazine.

- d Grasp the magazine by the handle and slide it out while supporting it from underneath with the other hand.

Note: To remove the magazine blank, pull it straight out.

- 2 Safely power down the SuperLoader 3; press and hold the power button on the front panel until the **System Shutdown wait 60 sec** message is

displayed on the LCD, **Power Off** is displayed, and then the SuperLoader 3 shuts off.

- 3 Disconnect the cables and power cords.

Note: Label the cables so that you can reconnect them to the correct ports.

Removing the SuperLoader 3 from the Rackmount

Caution: Retain all the parts removed in this procedure. Depending on what parts of the rackmount are replaced, you may need to reuse some parts.

WARNING: At least two people are required to safely remove the SuperLoader 3 from the rack cabinet. Failure to take this safety step may result in personal injury or equipment damage.

When the SuperLoader 3 is rack mounted directly to the stationary cabinet rails, complete the following steps to remove it.

Removing the SuperLoader 3 From a Rackmount

These instructions explain how to remove the SuperLoader 3 from a rackmount.

Required Tools:

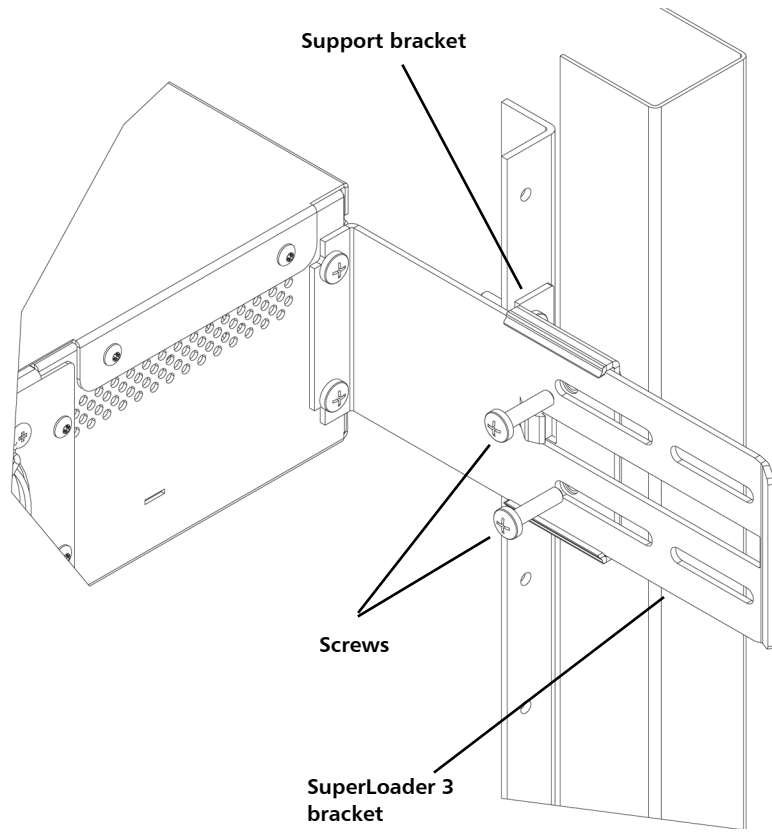
- #2 Phillips screwdriver.

While the other installer holds the front end of the SuperLoader 3, remove it from the rack by completing the following steps:

Note: Before removing the SuperLoader 3 from the rack, you will need to loosen the screws just enough to hold the support brackets firmly against the rail while still allowing the support bracket to be slightly shifted by hand. This shifting will help facilitate the removal of the SuperLoader 3 brackets as the SuperLoader 3 is uninstalled from the rack.

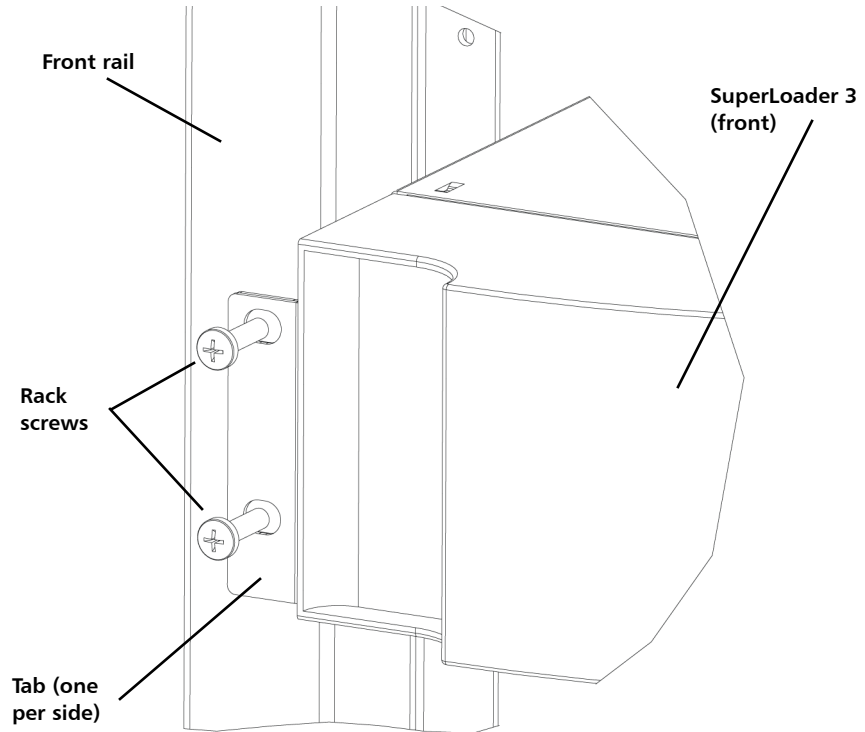
- 1 Loosen the four (4) screws that connect the two (2) support brackets to the two (2) SuperLoader 3 brackets. Do not remove the screws completely at this time (see [Figure 1](#)).

Figure 1 Support Brackets and SuperLoader 3 Brackets



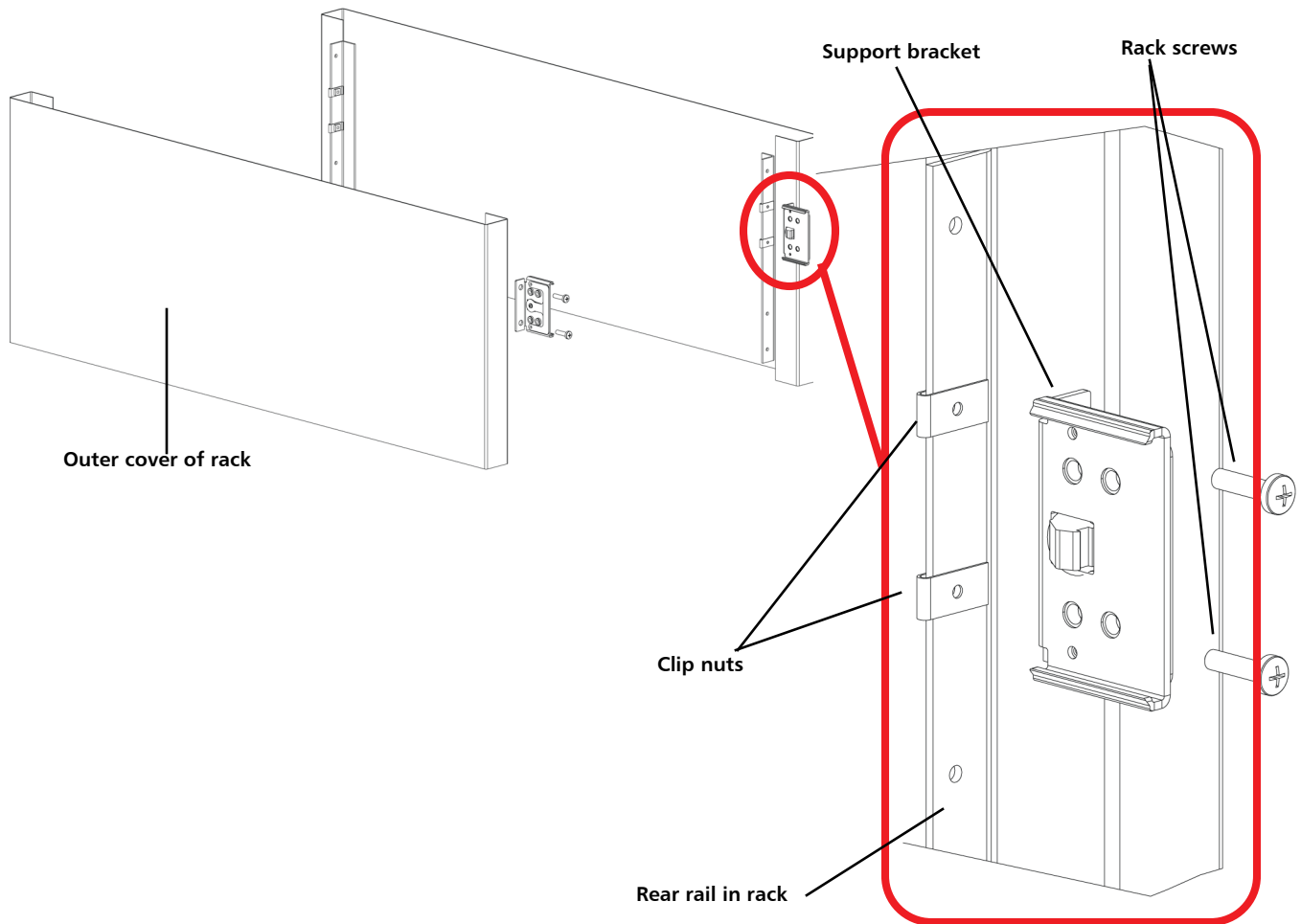
- 2 Loosen the four (4) screws on the front of the SuperLoader 3 that attach the two (2) front tabs (support brackets) to the front rails. Do not remove the screws completely at this time (see [Figure 2](#)).

Figure 2 Front Tabs and Rails



- 3 Remove the four (4) screws at the back of the SuperLoader 3 that connect the support brackets (two screws per bracket) to the SuperLoader 3 brackets (see [Figure 3](#)).

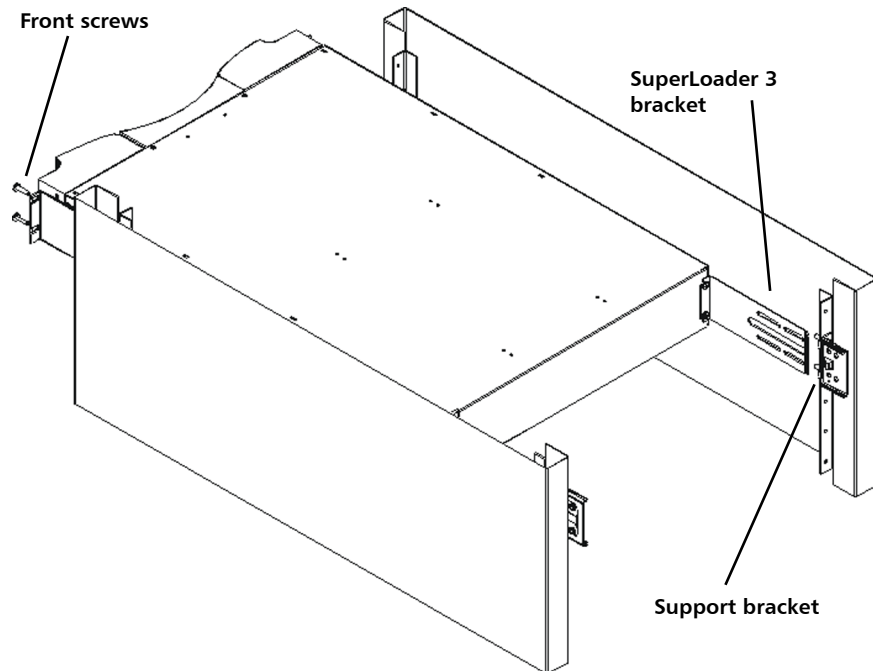
Figure 3 Support Brackets and SuperLoader 3 Brackets



WARNING: Injury may occur if the unit is not supported when you remove the front screws. The screws are holding up the front of the unit.

- 4 While supporting the front of the SuperLoader 3, remove the four (4) front screws (see [Figure 4](#)).

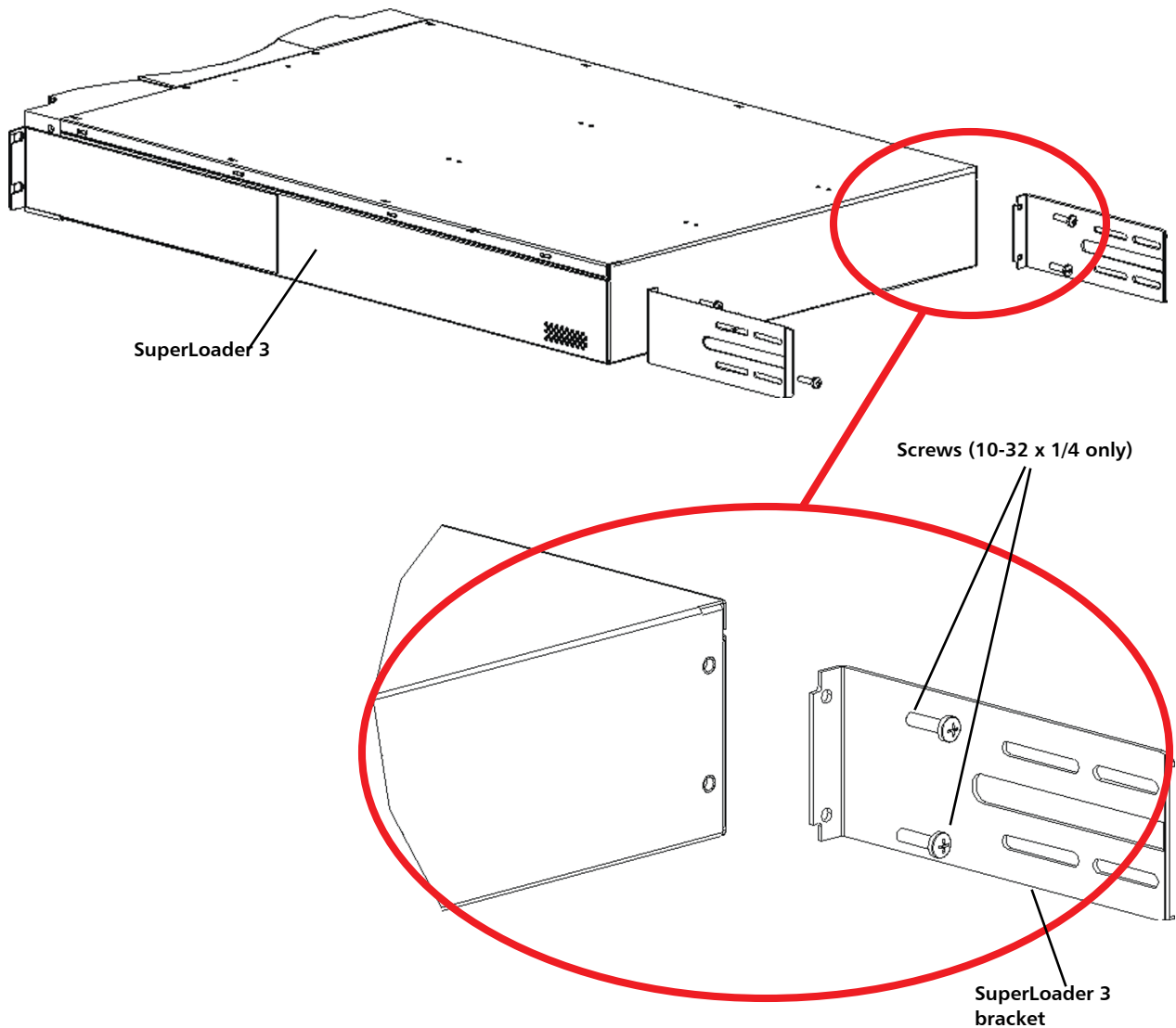
Figure 4 SuperLoader 3 Front Screws and Support Brackets



- 5 Using two people, or an appropriately rated mechanical lift, remove the SuperLoader 3 from the rack; complete the following steps:
 - a Have one person slide the SuperLoader 3 out of the rack while supporting it from the bottom.
 - b The other person should handle the back of the unit and depress the locking tab on the support bracket while sliding the unit forward.

- 6 Remove the four (4) screws and the brackets from the back of the SuperLoader 3 (see [Figure 5](#)).

Figure 5 SuperLoader 3
Brackets



- 7 When the SuperLoader 3 has been completely removed from the rack, set it down gently on a stable surface.
- 8 Compare the SuperLoader 3 brackets you received in the SuperLoader 3 Rack Rail Kit (see [SuperLoader 3 Replacement Rack Rail Kit Contents](#) on page 2) with the brackets that were removed from in [Step 6](#). If you are replacing the brackets, you will need to use the same size bracket from the kit to reinstall the SuperLoader 3 into the rack.

Note: Save any screws and clip nuts you remove in a safe place in case you need them when you replace the SuperLoader 3 in the new rackmount.

Replacing the SuperLoader 3 In a New Rackmount

Be sure you have the correct tools and parts before proceeding with these instructions (see [Required Tools and Kits](#) on page 2).

These instructions explain how to attach the SuperLoader 3 directly to the stationary rails of a rack.

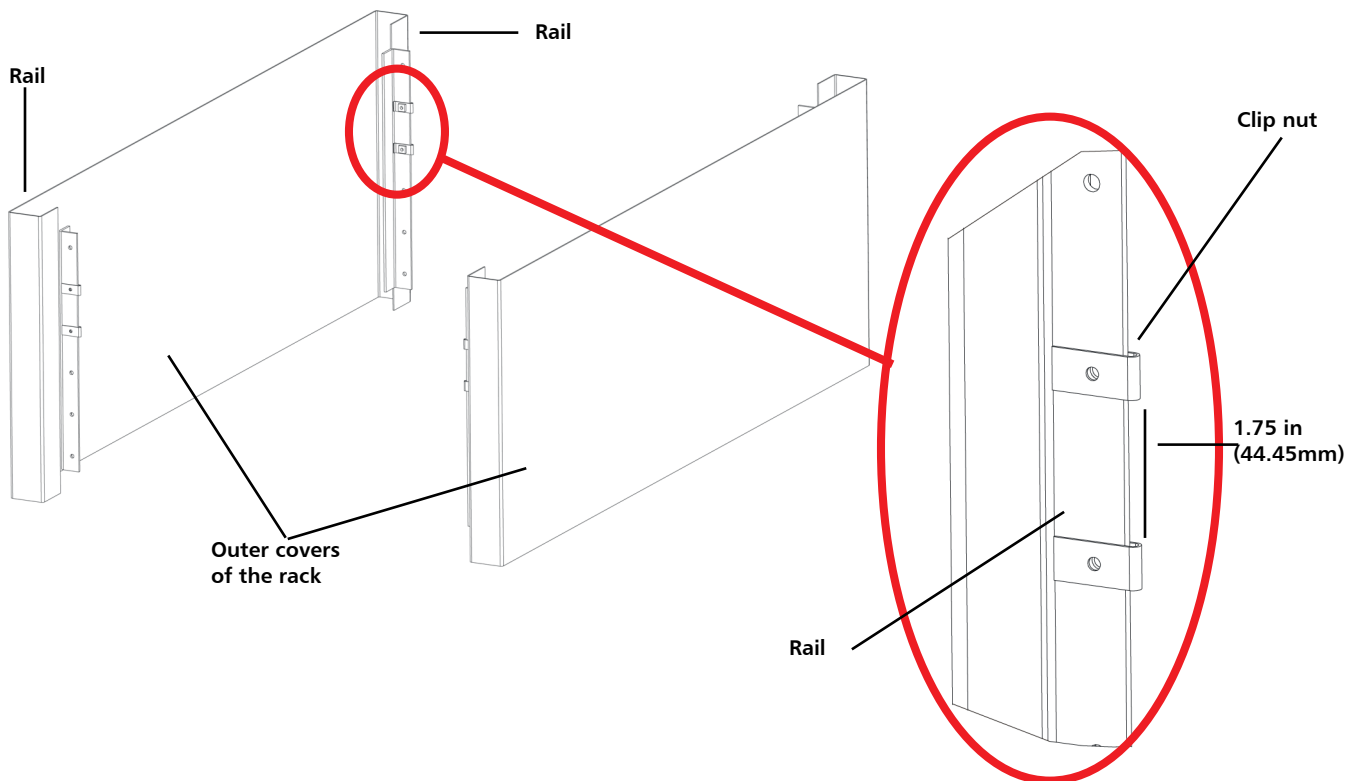
- 1 Secure the help of at least one other person. At least two people are required to safely reinstall the SuperLoader into a rack cabinet.

WARNING: Failure to take these safety steps may result in personal injury or equipment damage.

Caution: Never remove the top cover of the SuperLoader 3. Removing the top cover could result in damage to the SuperLoader 3.

- 2 If present, install two (2) clip nuts, 1.75 in. (44.45 mm) apart, onto each of the four (4) rails of the rack, making sure that you install each pair of clip nuts at exactly the same height (see [Figure 6](#)).

Figure 6 Installing Clip Nuts



- 3 Attach the appropriate SuperLoader 3 brackets (long or short depending on the depth of the rack and as determined in [Step 8](#) on page 9) to the rear of

the SuperLoader 3 (see [Figure 5](#)).

- 4 Using the rack screws, attach a support bracket to the clip nuts on each rear rail (see [Figure 3](#).)

Note: Be sure to attach the support brackets correctly; the side of the bracket with only two holes should be secured to the rail.

Tighten the screws just enough to hold the support brackets firmly against the rail while still allowing the support bracket to be slightly shifted by hand. This shifting will help facilitate the engagement of the SuperLoader 3 brackets as it is installed in the rack. You will fully tighten the screws in [Step 8](#).

- 5 With the help of a second installer, complete the following steps:
 - a As you insert the SuperLoader 3 into the rack, slide the SuperLoader 3 brackets into corresponding support brackets on the rear rails.
 - b Be sure that the tabs at the front of the SuperLoader 3 align flush with the clip nuts on the front rails (see [Figure 4](#)).

Caution: Do not release the front end of the SuperLoader 3 until it is secured to the rack.

- 6 While the other installer holds the front end of the SuperLoader 3, secure it in the rack by doing the following:
 - a Use four (4) rack screws (two per tab) to secure the front end of the SuperLoader 3 to the rack as shown in [Figure 2](#). Tighten the screws just enough to secure the SuperLoader 3 to the front rails.
 - b Use four (4) button head screws (two per side) to secure the support brackets to the SuperLoader 3 brackets (see [Figure 1](#)).
- 7 Verify that the SuperLoader 3 is level; adjust as needed.
- 8 When the SuperLoader 3 is level, tighten all screws securing it to the rack. Tighten the four (4) screws to secure the following parts:
 - The SuperLoader 3 tabs to the front rails.
 - The support brackets to the rear rails.
 - The SuperLoader 3 brackets to the support brackets.

Caution: Discard the broken items. You can discard any unused items, or save them in case you need to replace an item in the future.

Completing the Installation

Once the SuperLoader 3 has been mounted in the rack, you need to complete the following steps to be sure your SuperLoader 3 is working properly.

- 1 Reattach all cables to the correct ports.

- 2 Attach the power cable to the SuperLoader 3 and plug the power cable into the nearest power outlet.
- 3 Reinsert the magazines (or the magazine and the magazine blank) in the appropriate bays; complete the following steps:
 - a Grasp the magazine (or the magazine blank) by the handle with one hand, and guide it into the magazine bay.
 - b Slide the magazine (or magazine blank) into the magazine bay until it stops. The magazine (or magazine blank) is correctly installed when you feel it click into place and the front is flush with the front panel.

Caution: Insert the magazine slowly to avoid damaging internal components or the SuperLoader 3.

- 4 Power the SuperLoader 3 on:
 - a Turn on any other devices that were turned OFF.
 - b From the back of the SuperLoader 3, set the power switch to ON.
 - c Check the LCD screen to make sure the SuperLoader 3 is receiving power.

If the LED is not green, check your power connections and your power source.

During the Power-on Self-Test (POST), both LEDs are illuminated briefly, followed by the flashing Ready/Activity LED. When the initialization sequence is complete, the **Home** screen is displayed on the LCD.